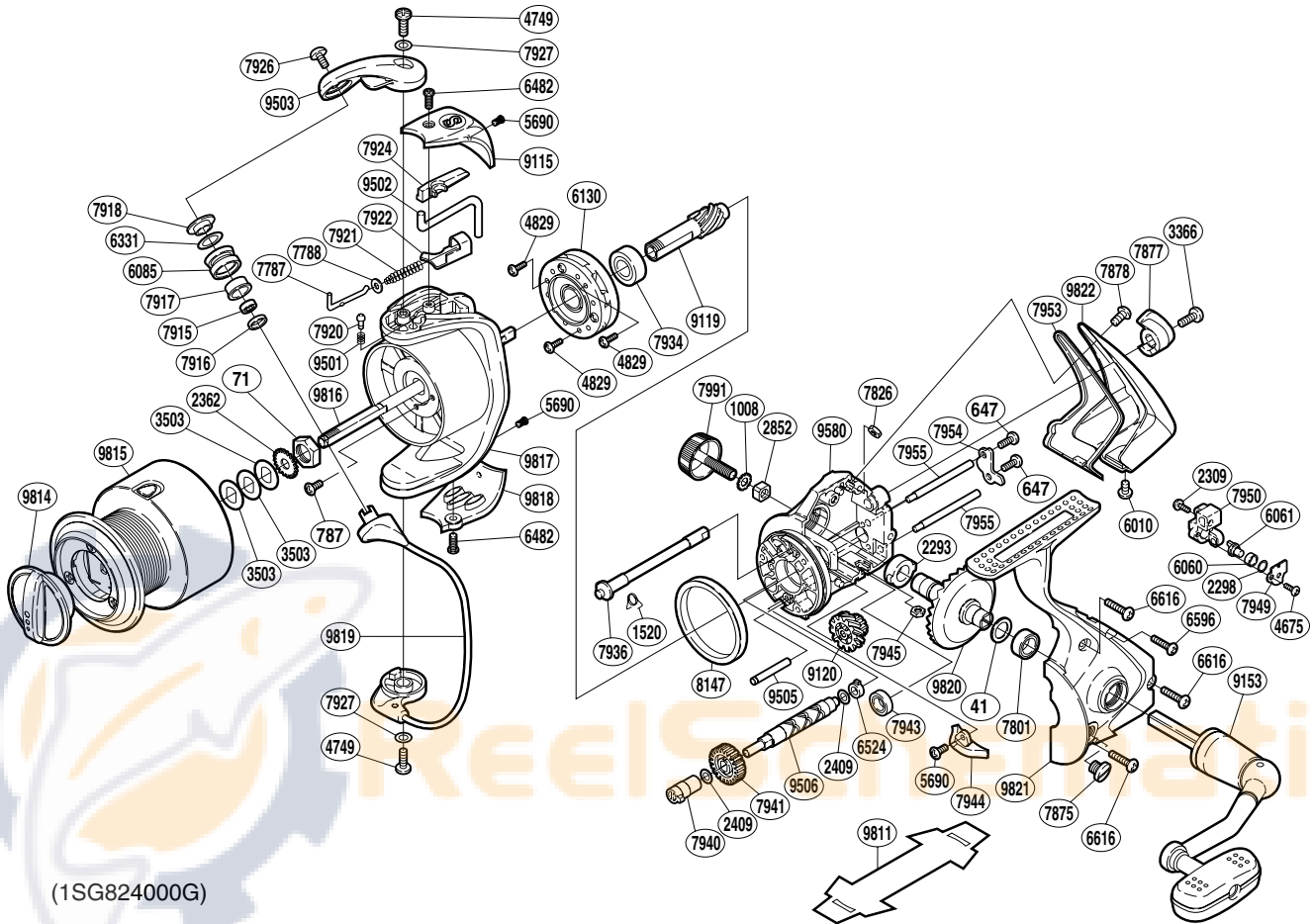


SHIMANO®

TECHNIUM A-RB

TEC-4000MGS



(1SG824000G)

Part No.	Description	Part No.	Description	Part No.	Description
RD 0041	Washer	RD 6616	Screw	RD 7953	Rear Shield
RD 0071	Rotor Nut	RD 7787	Bail Spring Guide A	RD 7954	Worm Shaft Retainer
RD 0647	Screw	RD 7788	Spring Guide (A) Support	RD 7955	Oscillating Guide
RD 0787	Screw	RD 7801	Ball Bearing	RD 7991	Handle Screw Cap
RD 1008	Handle Lock Washer	RD 7826	Nut	RD 8147	Friction Ring
RD 1520	Anti-Reverse Cam Spring	RD 7875	Oil Cap	RD 9115	Bail Spring Cover
RD 2293	Drive Gear Bushing	RD 7877	Anti-Reverse Lever	RD 9119	Pinion Gear
RD 2298	Spacer	RD 7878	Screw	RD 9120	Idle Gear B
RD 2309	Screw	RD 7915	Ball Bearing	RD 9153	Handle Assembly
RD 2362	Spool Support	RD 7916	Bearing Spacer	RD 9501	Click Spring
RD 2409	Spacer	RD 7917	Line Roller Bushing	RD 9502	Bail Trip Lever
RD 2852	Handle Screw Lock	RD 7918	Line Roller Washer	RD 9503	Bail Arm
RD 3366	Screw	RD 7920	Click Pin	RD 9505	Idle Gear B Shaft
RD 3503	Spool Washer	RD 7921	Bail Spring	RD 9506	Worm Shaft
RD 4675	Screw	RD 7922	Bail Spring Seat	RD 9508	Body
RD 4749	Screw	RD 7924	Bail Trip Cover	RD 9814	Drag Knob
RD 4829	Screw	RD 7926	Screw	RD 9815	Spool Assembly
RD 5690	Screw	RD 7927	Washer	RD 9816	Main Shaft
RD 6010	Screw	RD 7934	Ball Bearing	RD 9817	Rotor
RD 6060	Oscillating Slider Bushing	RD 7936	Anti-Reverse Cam	RD 9818	Bail Hold Support Guard
RD 6061	Oscillating Pawl	RD 7940	Worm Bushing (front)	RD 9819	Bail Assembly
RD 6085	Line Roller	RD 7941	Idle Gear	RD 9820	Drive Gear
RD 6130	Roller Clutch Assembly	RD 7943	Ball Bearing	RD 9821	Side Cover
RD 6331	Line Roller Spacer	RD 7944	Bail Trip Strike	RD 9822	Rear Protector
RD 6482	Screw	RD 7945	Nut		
RD 6524	Worm Bushing (rear)	RD 7949	Oscillating Pawl Cover		
RD 6596	Screw	RD 7950	Oscillating Slider	RD 9811	Reel Seat Spacer